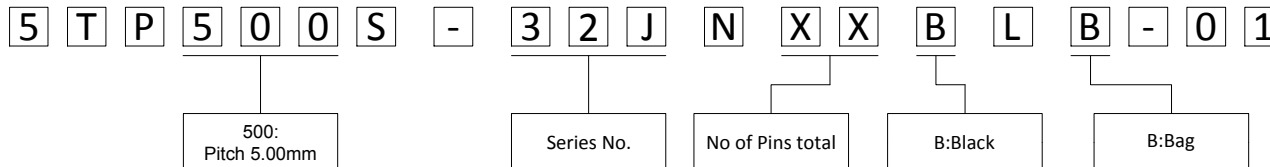


ELECTRICAL

Standard: UL IEC
 Rated Voltage: 300V 250V
 Rated Current: 10A 18A
 Contact Resistance: 20mΩ
 Insulation Resistance: 500MΩ/DC500V
 Withstanding Voltage: AC 2000V for one minute

ORDER INFORMATION



MECHANICAL

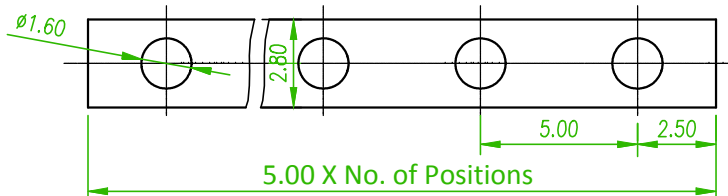
Temp.Range:-40°C~+105°C
 Max Soldering:+250°C,for 5 Sec

DIMENSIONS

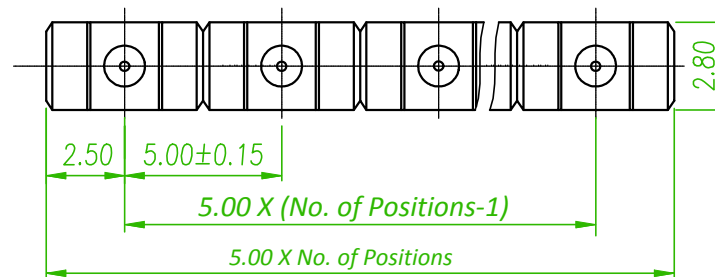
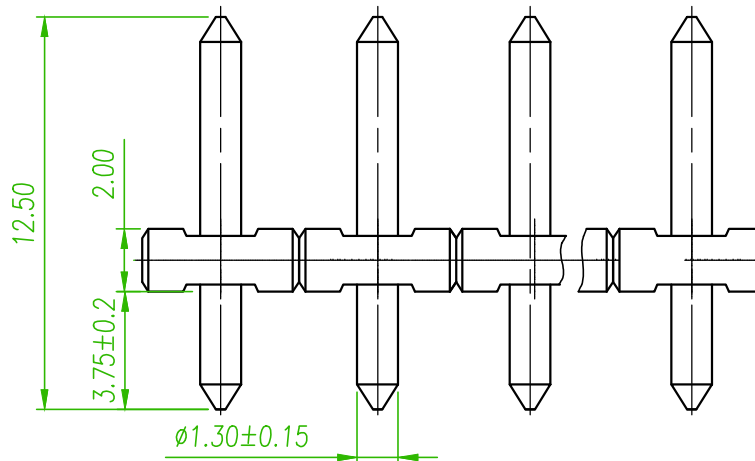
Pitch: 5.0mm
 Poles:2-24P

MATERIAL

Housing: PBT, UL94V-0
 Pin header:Copper alloy,Sn plated



P.C.B. LAYOUT



Old P/N:TB332J-5.0-XXP-13-00A-L



linear dimension(Tolerances Standard GB/T 14486-2008)								—	∕	⊥
variable range	to 6	over 6 to 10	over 10 to 30	over 30 to 60	over 60 to 100	over 100 to 160	to 10	over 10 to 100	over 100 to 160	
tolerance	±0.20	±0.30	±0.50	±0.70	±1.00	±1.30	±1.60	0.10	0.30	0.60

△x1	ECN NO:200718 Revise the Tolerance	Alice	2020/09/17
△	Revise the drawing	B	2016/12/23 Mia
REV.	ECN NO. OR DESCRIPTION	REVISED	DATE

糧德精密有限公司
 Amtek Technology Co., Ltd.
 TEL: 886-2-2260-6878
 FAX: 886-2-2260-8030

品名 TITLE	Terminal Block				頁數 Page	1/1
品號 PART NO.	5TP500S-32JNXXBLB-01			繪圖 DRAWN	Mia 2016/12/23	
圖號 DRAWING NO.	GN011-MC169	版本 REV.	C	核對 CHECKED	Jonny 2016/12/23	
客戶品號 CUSTOMER P/N		比例 SCALE	None	承認 APPROVED	Aaron 2016/12/23	
公差 TOLERANCE		單位 UNIT	mm	THIRD ANGLE PROJECTION		