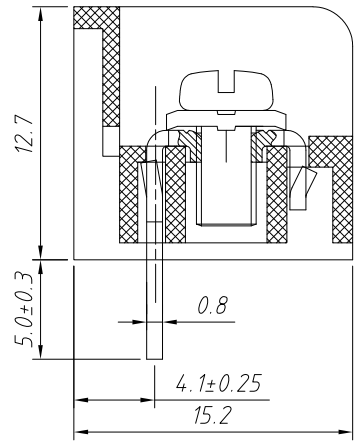


PCB LAYOUT

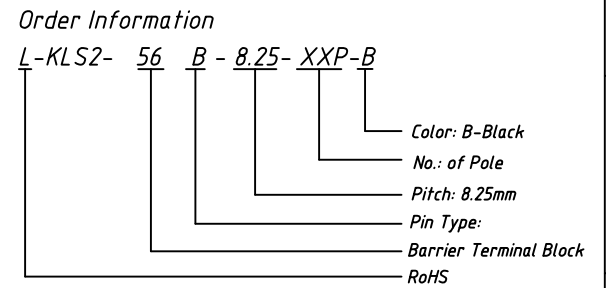


SECTION A-A

**Material**  
 Screw: M3.0, Steel, Ni Plated  
 Pin header: Brass, Tin Plated  
 Housing: PA66, UL94V-0, Black

**Electrical**  
 Rated voltage: 300V  
 Rated current: 20A  
 Wire range: 22~12AWG 2.5mm<sup>2</sup>  
 Contact Resistance: 20 mΩ  
 Insulation resistance: 500MΩ/DC500V  
 Withstand voltage: AC2000V / 1 min

**Mechanical**  
 Temp. Range: -40 °C ~ +105 °C  
 Torque: 0.5Nm (4.43Lb.in)



ANGLE TOLERANCE			Description:	Barrier TERM BLOCK 8.25MM
X. ±5°				
.X ±3°	PROJECTION:			
GENERAL TOLERANCE	UNITS:	mm	KLS P/N:	KLS2-56B-8.25-XXP-B
X. ±0.60	SHEET SIZE:	A4		NingBo KLS ELECTRONIC CO.,L TD.
.X ±0.38	Draw by:	Daniel	2018-02-26	
.XX ±0.25	Check by:	Daniel	2018-02-26	