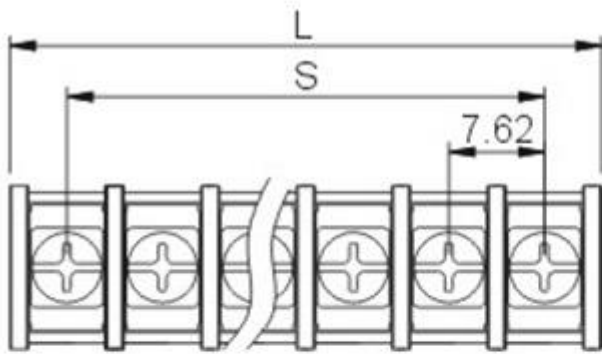




JFF25C

Poles (极数):	2~26P
Housing (塑件):	PA66 UL 94V-0
Terminal (端子):	Brass, 0.7t, Tin-Plated (黄铜, 0.7厚镀锡)
Screw (螺丝):	Steel, M3 Ni-Plated (钢, M3 镀镍)
Rated (额定电压/电流):	300V/15A
Temp. Range (使用温度):	-40°C ~ +105°C
Withstand Voltage (耐电压):	AC2000V/Min
Insulation Resistance (绝缘阻抗):	500M Ω / DC500V
Wire Range (适用线径):	22-14AWG
Max. Torque Value (最大锁紧扭力):	0.5N.m 4.4Lb.in



$$S = 7.62 \times (N - 1)$$

$$L = 7.62 \times (N - 1) + 9.12$$

