
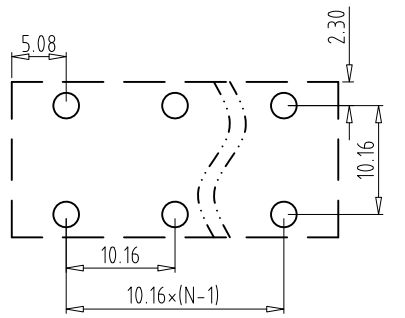


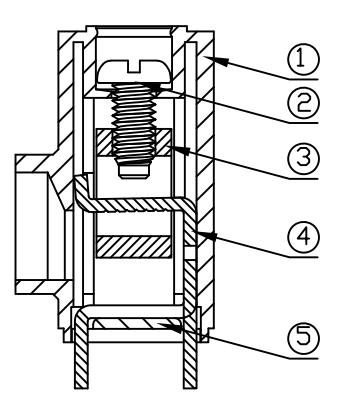
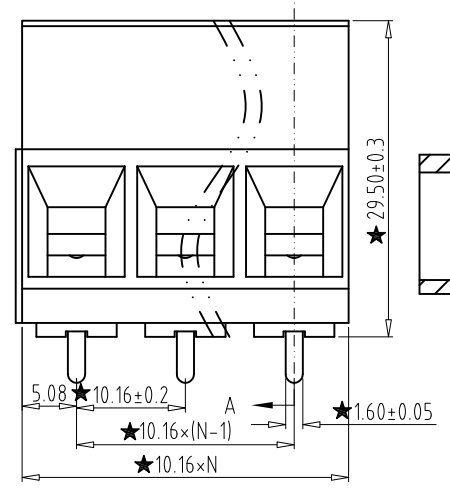
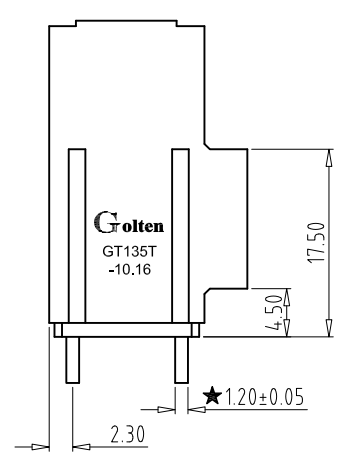
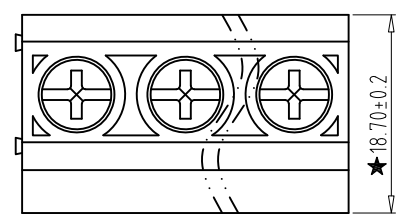
REV	CONTENT	CHK	DATE
V0.0	CONTENT	MYZ	21.06.28

Electrical :

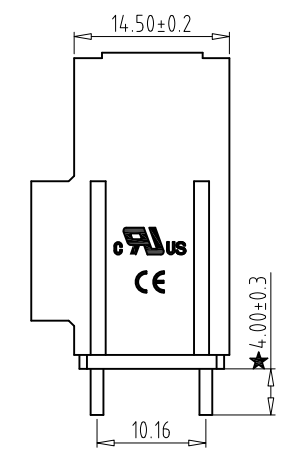
- | | | |
|--|---|-------------------|
| | UL | IEC |
| 1. Rated Voltage : | 300V | 750V |
| 2. Rated Current : | 52A | 57A |
| 3. Torque Value : | M4 ,10.53Lb.in | M4, 1.2N.m |
| 4. Wire Range: | 20-6AWG | 10mm ² |
| 5. Stripping Length : | 10-11mm | |
| 6. Withstanding Voltage : | AC3000V/1Min. | |
| 7. Operating Temperature : | -40°C~+105°C | |
| 8. RoHS Compliance | | |
| 9. Safty Approval : |  | |
| 10. "★" is the key quality control point | | |



PCB LAYOUT



SECTION A-A



- GT135T - 10.16 -XXP - X X - 00
- | | | | | | |
|---------------|---------|---------|------------------------------------|--|----------------------------------|
| ① | ② | ③ | ④ | ⑤ | ⑥ |
| ① Series NO. | ② Pitch | ③ Poles | ④ 1 Single Pitch
2 Double Pitch | ⑤ Color: 1 Grey
2 Blue
3 Black
4 Green
5 Orange
6 Red
7 Transparent
8 Yellow
9 White | ⑥ Customer Request: 00--Standard |
| 02 02Contacts | | | | | |
| 03 03Contacts | | | | | |
| 24 24Contacts | | | | | |

5	COVER	XX	1	PA66(UL94V-0)	SEE NOTE
4	Pin Header	XX	N	Brass	Tin Plated
3	BLOCK	XX	N	Brass	Ni Plated
2	SCREW	XX	N	Steel	Zn Plated
1	HOUSING	XX	1	PA66(UL94V-0)	SEE NOTE

Total Pitch Tolerances in mm										Nominal dimension range in mm										⊥	≡	-	//		
over 0	over 30	over 53	over 70	over 90	over 115	over 150	over 250	over 350	over 500	over 0	over 30	over 53	over 70	over 90	over 115	over 150	over 200	over 250	over 320	to 0	to 10	all	to 0	to 100	to 150
±0.18	±0.20	±0.25	±0.3	±0.35	±0.4	±0.60	±0.70	±0.85	±0.20	±0.25	±0.30	±0.35	±0.4	±0.55	±0.70	±0.80	±0.90	0.2	0.3	0.3	0.2	0.3	0.5		

ITEM	NAME OF PART	NO. OF PART	Q'TY	MATERIAL	NOTE
DWG.	MYZ	DATE	21.06.28	SIZE	A4 UNITS mm SHEET/OF 1/1
CHK.		DATE		SCALE	1:1
APP.		DATE		NAME	GT135T-10.16-XXP-XX-00
				DWGNO.	XXXX

Golten 宁波冠泰电子有限公司
NINGBO GOLTEN ELECTRONICS CO., LTD.