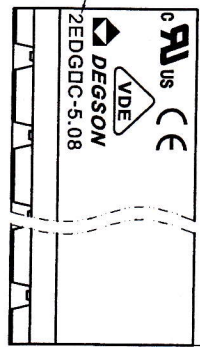
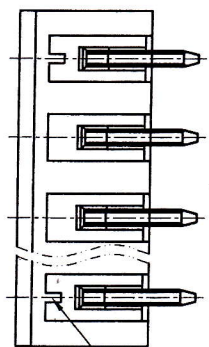
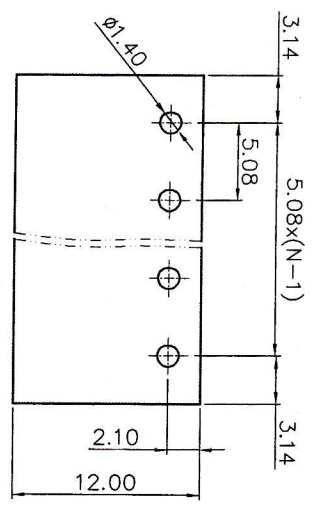
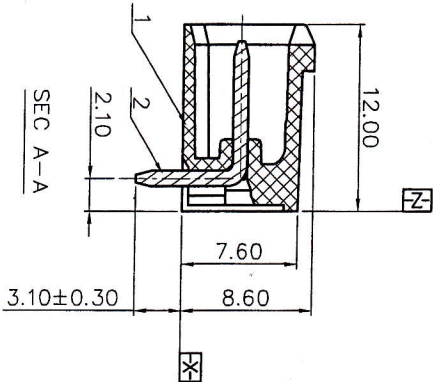
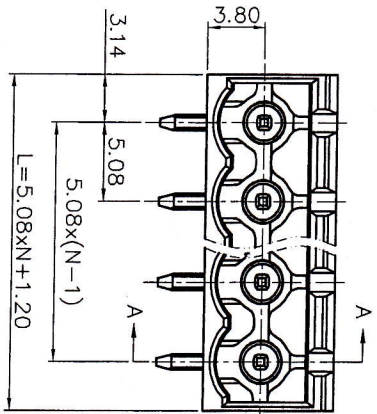
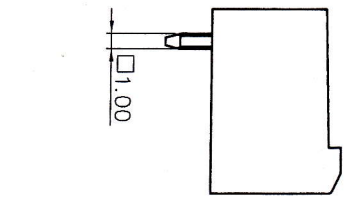


REVISION RECORD			
REV	ECH	DESCRIPTION	DATE



刻字位置两边都可以

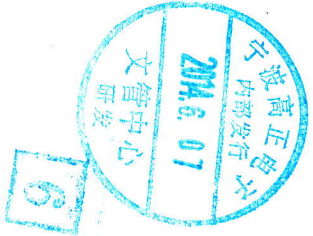


L dimensional tolerance:

0 < L < 30	±0.3
30 ≤ L < 80	±0.6
80 ≤ L	±0.8

PITCH RANGE IN MM	NOMINAL DIMENSION RANGE IN MM						
	OVER TO	10 TO	OVER TO	30 TO	OVER TO	60 TO	OVER TO
±0.10	±0.15	±0.25	±0.20	±0.30	±0.50	±0.70	±1.00
0.05/10	0.05/10	0.05/10	0.05/10	0.05/10	0.05/10	0.05/10	0.05/10

- NOTES:
1. DIMENSION SHALL BE INTERPRETED PER ASME Y14.5-2009.
  2. PITCH: 5.08MM, POLES: N=2-24P
  3. RATED VOLTAGE/CURRENT: UL 300V/15A  
VDE 320V/20A
  4. OPERATION TEMPERATURES: -40°C~+105°C
  5. RATED IMPULSE VOLTAGE: 4.0KV
  6. INSULATION RESISTANCE: 5000MΩ/DC1000V
  7. UNDIMENSIONED TOLERANCES:



ITEM	NAME OF PART	NO. OF PART	QTY	MATERIAL	NOTES
3	ZEDGRC-13A Pin header	1008B00220(H)	N	COPPER	Automatic assembly
2	ZEDGRC-13A Pin header	1008B00150(H)	N	COPPER	Manual assembly
1	ZEDGRC-5.08-190A Housing	1009AYXXXP(H)	1	PA66	UL94V-0

DETACHED LISTS	
MM (INCH)	MATERIAL:
TOLERANCES EXCEPT AS NOTED	FINISH:
X ± .XX ± .XXX ±	PART NO.:
X' ± .XX' ± .XXX' ±	NAME:
ANGLES ± 1'	TITLE:
THIRD ANGLE PROJECTION	CHKD: <i>Handwritten</i>
	DRT: XLM 11/05/13"
	DO NOT SCALE DRAWING
	SCALE N/A
	REV TO
	SHEET 1/1

**DEGSON** 宁波高压电子有限公司  
DEGSON ELECTRONICS CO., LTD

2EDGRC-5.08-XXP-1Y-190A(H)

ASSEMBLY DRAWING

DRAWING NO.: 2EDGRC-5.08-E39