

# TERMINAL BLOCK Connector

## Barrier Series

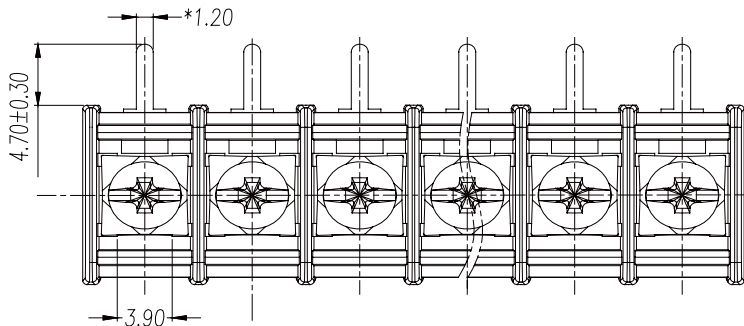
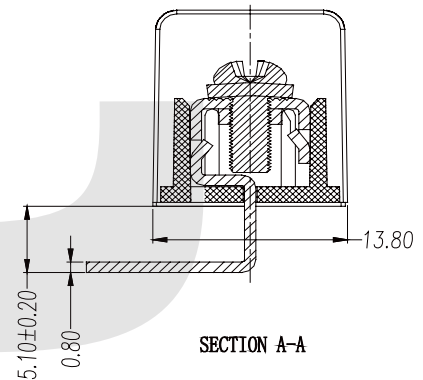
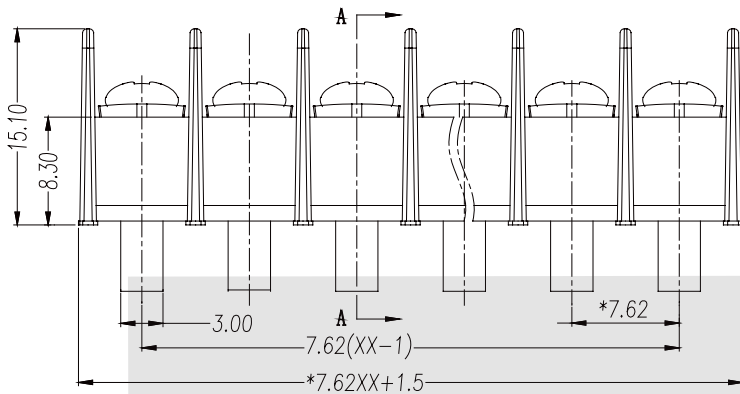
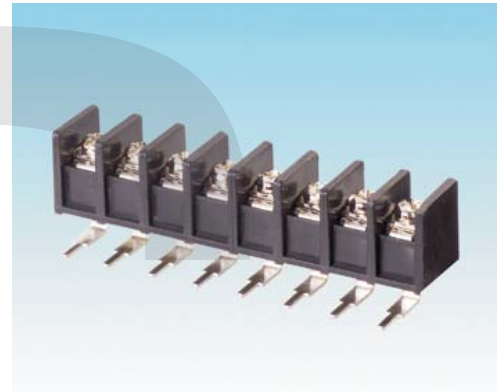
### KLS2-25R-7.62 Series

#### Electrical

Voltage rating : 300V  
 Current rating : 10A  
 Wire range : 14-22AWG  
 Operation temperature : -40°C to +105°C  
 Torque : 4kg/cm  
 Insulation Resistance: 500MΩ/DC500V  
 Withstanding Voltage: AC2000V/Min

#### MATERIAL

Housing : PA 66 UL94V-0  
 Terminal : Brass 0.8t, Tin plated  
 Screws : M3 Steel, Nickel Plated



## ORDER INFORMATION

Product NO.: KLS2-25R-7.62 XXP B

Pos. NO. \_\_\_\_\_

Series No. \_\_\_\_\_

Pitch 7.62=7.62mm \_\_\_\_\_

A=Mount Ends B=Barrier Ends

Pin Number \_\_\_\_\_

# TERMINAL BLOCK Connector

## Barrier Series

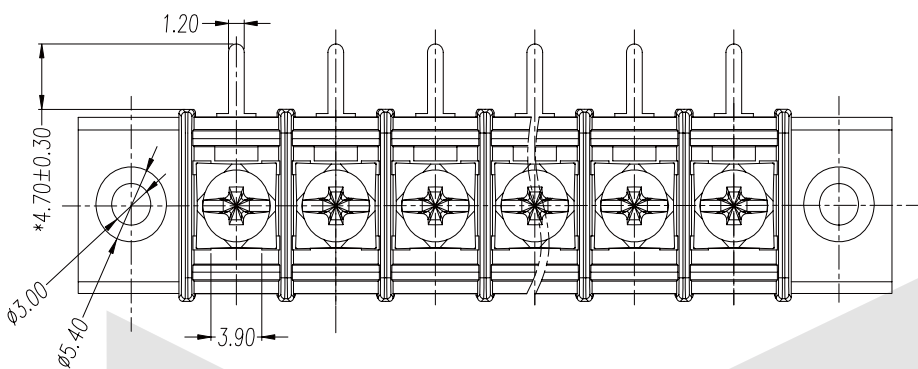
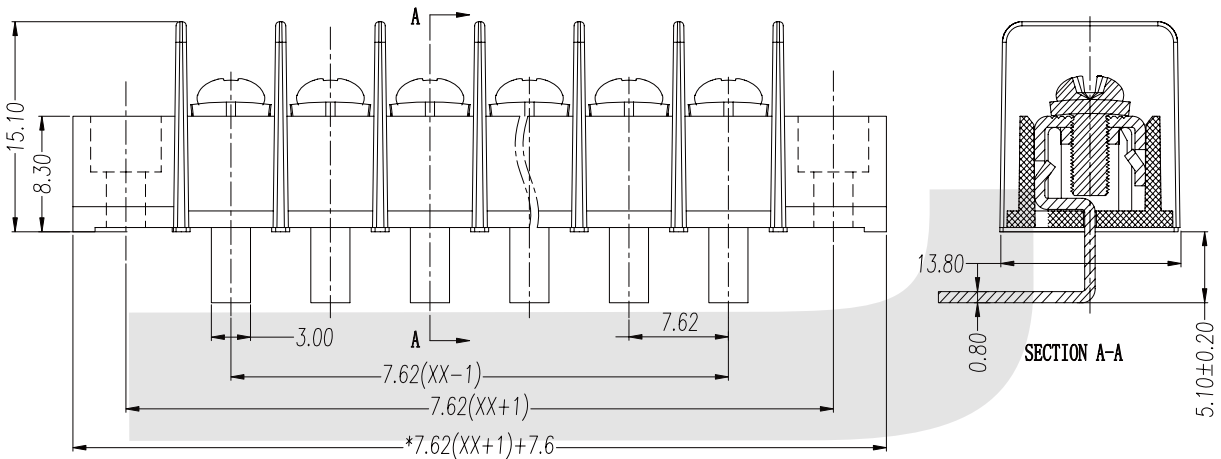
### KLS2-25R-7.62 Series

#### Electrical

Voltage rating : 300V  
 Current rating : 10A  
 Wire range : 14-22AWG  
 Operation temperature : -40°C to +105°C  
 Torque : 4kg/cm  
 Insulation Resistance: 500MΩ/DC500V  
 Withstanding Voltage: AC2000V/Min

#### MATERIAL

Housing : PA 66 UL94V-0  
 Terminal : Brass 0.8t, Tin plated  
 Screws : M3 Steel, Nickel Plated



## ORDER INFORMATION

Product NO.: KLS2-25R-7.62 XXP A

Pos. NO. \_\_\_\_\_

Series No. \_\_\_\_\_

Pitch 7.62=7.62mm \_\_\_\_\_

A=Mount Ends B=Barrier Ends

Pin Number \_\_\_\_\_